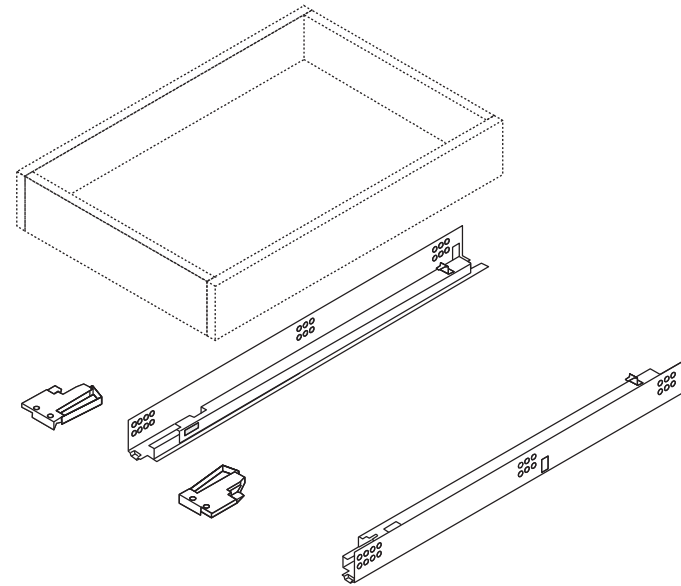


# Drawer adjustments

## TANDEM plus series (See inside for adjustments and installation instructions.)



Blum, Inc.  
7738 Old Plank Rd.  
Stanley, NC 28164  
toll free 800-438-6788  
local 704-827-1345  
fax 704-827-0799  
Internet www.blum.us

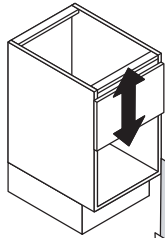
Perfecting motion  **blum**<sup>®</sup>

4051.10.06 ©2006 Printed in the USA

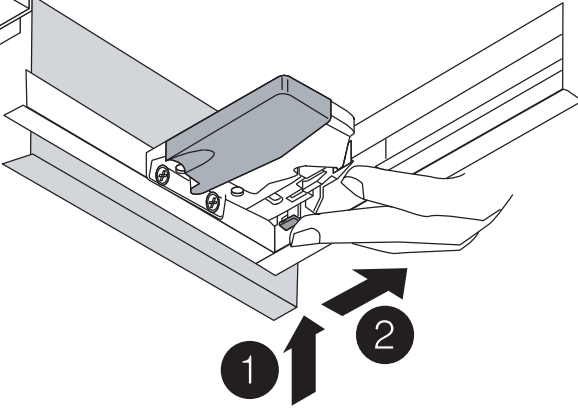
Subject to technical modification without notice ©2006 Blum, Inc.

# TANDEM plus drawer adjustments

## Height adjustment

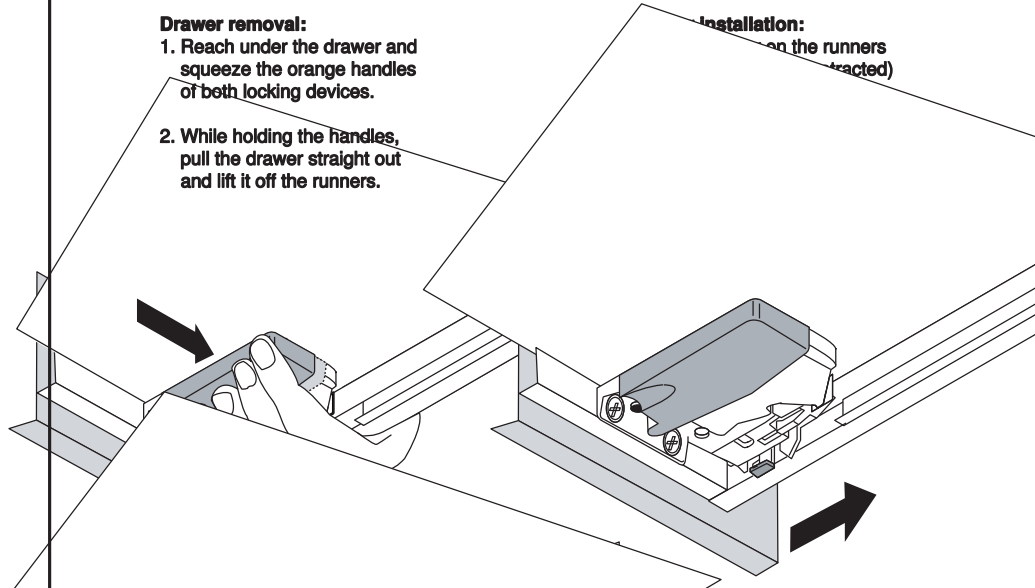


1. Press down on adj. latch.
  2. Push latch towards back of drawer after pressing down.
- Provides upward adj. only.**



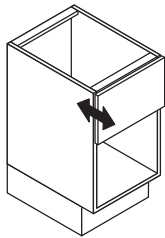
## Drawer removal / installation

- Drawer removal:**
1. Reach under the drawer and squeeze the orange handles of both locking devices.
  2. While holding the handles, pull the drawer straight out and lift it off the runners.



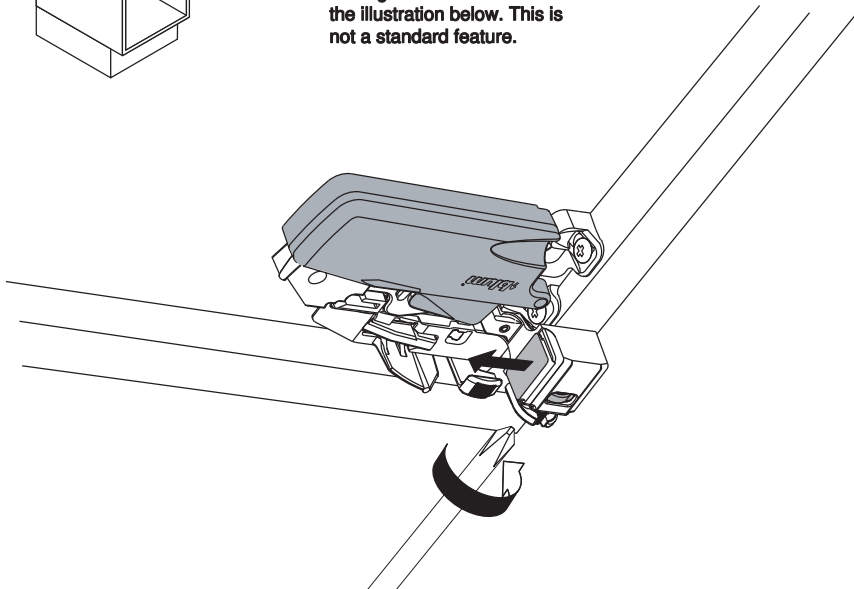
- Installation:**
1. Push the drawer straight into the runners (on the runners).

## Depth adjustment\*

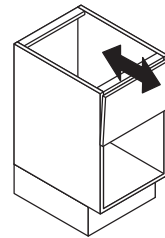


Turning the adj. screw gives up to 3/16" (4mm) out adj.  
**Provides outward adj. only.**

\* **Note:** Depth adjustment is only possible with special locking devices as shown in the illustration below. This is not a standard feature.



## Tilt adjustment



Rotate tab on rear hook for tilt adjustment.

